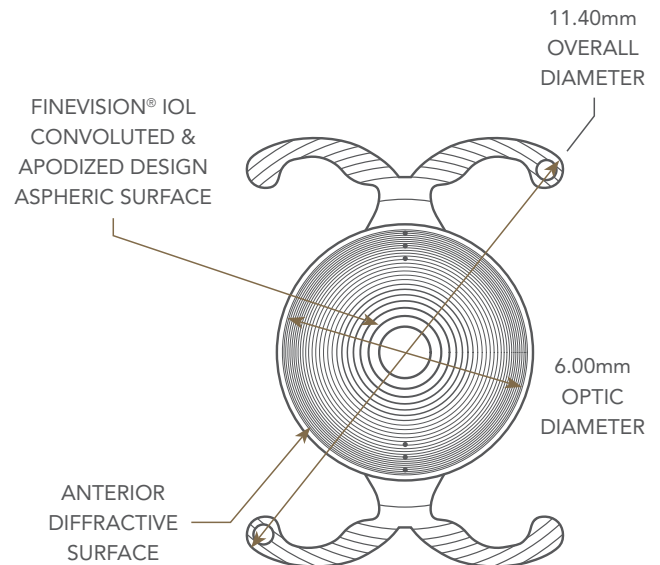


FINEVISION HP TORIC

Trifocal
Toric
Hydrophobic



Description

Model	FINEVISION HP TORIC				
Material	GFY Hydrophobic Acrylic ¹				
Overall diameter	11.40mm				
Optic diameter	6.00mm				
Optic	Biconvex Aspheric Toric Trifocal				
Haptic design	Double C-loop with Ridgetech® & Posterior Angulated Haptic				
Filtration	UV & Blue Light				
Refractive index	1.53				
Abbe number	42				
Additional power (IOL plane)	+1.75D & +3.50D				
Injection system	Medicel Accuject 2.1/2.2				
Spherical power	+10D to +35D (0.5D steps)				
Cylinder power (IOL plane) ⁴	1.00 - 1.50 - 2.25 - 3.00 - 3.75 - 4.50 - 5.25 - 6.00D				
Suggested A constant ²	Interferometry				
	Hoffer Q: pACD		5.85		
	Holladay 1: Sf		2.06		
	Barrett: LF		2.09		
	SRK/T: A		119.40		
	Haigis³: a0; a1; a2		1.70; 0.4; 0.1		
Cylinder power at IOL plane	POD FT 49P 1.0	POD FT 49P 1.5	POD FT 49P 2.25	POD FT 49P 3.0	POD FT 49P 3.75
	1.00D	1.50D	2.25D	3.00D	3.75D
Cylinder power at corneal plane ⁵	0.68D	1.03D	1.55D	2.06D	2.57D

¹ The PhysiOL GFY® is patented since 2010.

² Values estimated only: surgeons are recommended to personalize their A-constant based on their surgical techniques and equipment, experience with the lens model and postoperative results.

³ Not optimized.

⁴ Please read the directions for Use for important safety information and consult our specialists on the spherical and cylinder powers availability.

⁵ Savini G., J Cataract Refract Surg 2013; 39:1900–1903.

Note: The FINEVISION HP TORIC intraocular lens is not FDA approved.

Product Information

Manufacturer	PhysIOL s.a. - Liège Science Park Allée des Noisetiers 4 B-4031 Belgium +32 4 361 05 49 physiol@bvimedical.com
Certificate information	CE (EU) 2017/745, Annex IX Chapter II : MDR 735726 R000 QMS (EU) 2017/745, Annex IX Chapter I and III : MDR 735719 R000 ISO 13485:2016 & EN ISO 13485:2016 : MD 658518 ISO 13485:2016 : MDSAP 691544
Shelf life	Five (5) years from manufacturing date
Intended purpose	The posterior chamber intraocular lens is intended to be placed into the capsular bag with an anterior capsulorhexis for the replacement of the human lens to achieve the visual correction of aphakia in adult patients in whom the cataractous lens has been removed.
Indication for use	The lens should be used as intended in adult patients surgically treated for cataract, with possibly associated presbyopia, who desire improved uncorrected far vision, useful near and intermediate visual functions and reduced spectacle dependence.
Product Composition	No products of animal or human origin are present in the implant. The intraocular lens is 100% composed of the covalently crosslinked proprietary material of medical quality (GFY), which is a (2-hydroxyethylmethacrylate; phenoxy ethylacrylate; polypropylene glycol dimethacrylate) copolymer, including a UV and a blue light-filtering chromophores covalently bound to the material.
For sterile product	All IOLs from PhysIOL are steam sterilized
Packaging Material	Holder (Polypropylene) Container (Polypropylene) Storage liquid (0.9% NaCl solution) Aluminium lid (Aluminium Gold) Container label (paper) Blister PP (Polypropylene) Tyvek lid
Product Class	Classified as Class IIb implantable long-term surgically invasive medical devices under Rule 8 of Annex VIII of the MDR 2017/745. Not available in the United States

